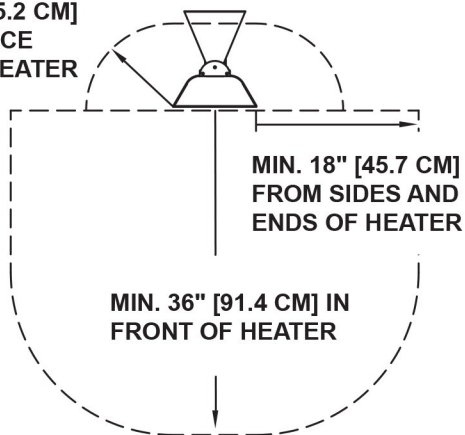


# electricSchwank - Technical Specifications & Benefits

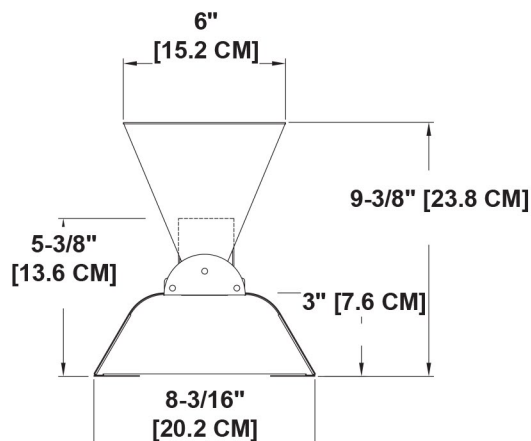
Information below is intended only as a reference and should not be used when installing equipment. Please ensure you locate the most recent instruction manual for accurate and up to date information.

## Clearances to Combustibles

MIN. 6" [15.2 CM]  
CLEARANCE  
BEHIND HEATER



## Dimensions



## Specifications

MODEL	WATTS	LENGTH	VOLTS/AMPS				PHASE	SHIP WGT.
ES-519	500	19.5"	120/4.2				Single	10
ES-719	750	19.5"	120/6.3				Single	10
ES-1033	1000	33"	120/8.3				Single	12
ES-1533	1500	33"	120/12.5	208/7	240/6.3	Single	12	
ES-2039	2000	39"	208/10	240/8.3	277/7	480/4	Single	13
ES-2539	2500	39"	208/12	240/10.4	277/9	480/5	Single	13
ESD-3033	3000	33"	208/14	240/12.5	277/11	480/6	Single	13
ES-3061	3000	61.25"	208/14	240/12.5	277/11	480/6	Single	20
ESD-4039	4000	39"	208/19	240/16.7	277/14	480/8.3	Single	14
ES-4061	4000	61.25"	208/19	240/16.7	277/14	480/8.3	Single	20
ESD-5039	5000	39"	208/24	240/20.8	277/18	480/10.4	Single	14
ESD-6061	6000	61.25"	208/28.8	240/25	277/21.7	480/12.5	Single	21

## Heater Controls

### On/Off Control



- Designed for use with single bulb heaters
- Available in flush mount or surface mount options
- Available with no cover, weatherproof cover, or weatherproof box
- Range 120/277 VAC [20 amps max per switch]

### Variable Control



- Designed for use with single bulb heaters up to 3000 watts [maximum 15 amps]
- Variable control to regulate heat output
- Each heater must have its own input regulator
- Available in flush mount or surface mount options
- Available with no cover, weatherproof cover, or weatherproof box
- Available for 240 V and 120V heaters only

### 2-Stage Control



- Designed for use with dual bulb heaters
- 2-stage option for high or low heat setting
- Range 120/277 VAC [20 amps max per switch]
- Available in flush mount or surface mount options
- Available with no cover, weatherproof cover, or weatherproof box

Distributed By:



Visit our online showrooms at:

[www.cannedheat.com](http://www.cannedheat.com)

We reserve the right to update products, specifications and dimensions are subject to change. Please refer to the product manual to verify measurements and clearance requirements. All local building codes must be followed.